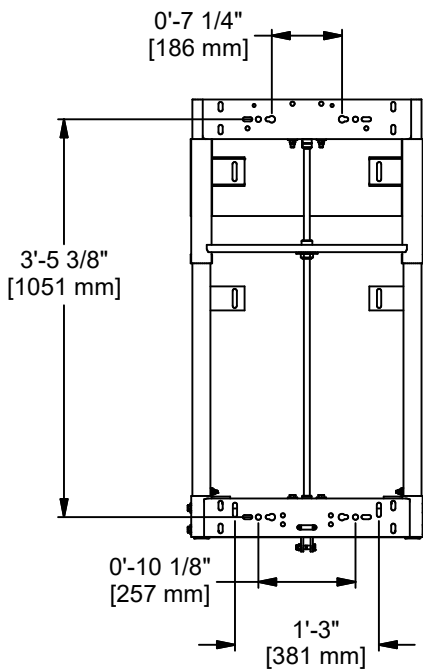
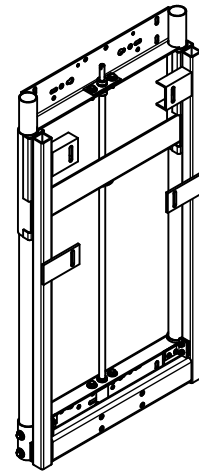
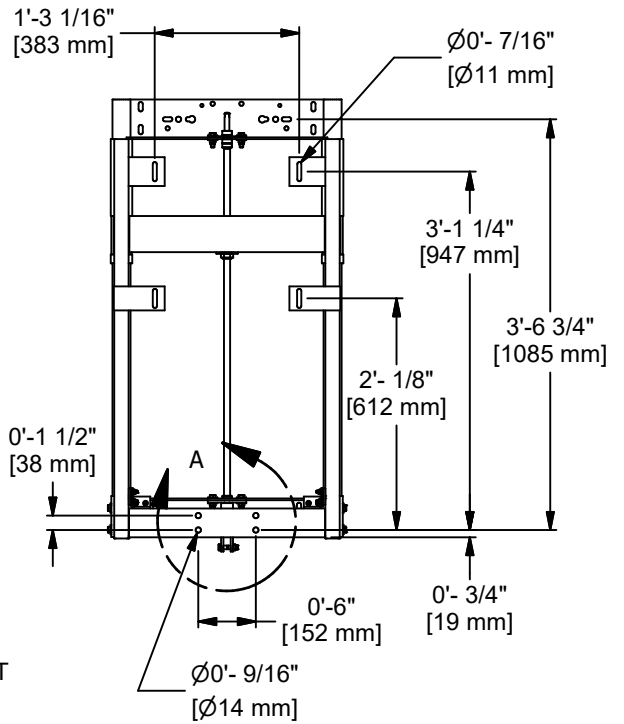
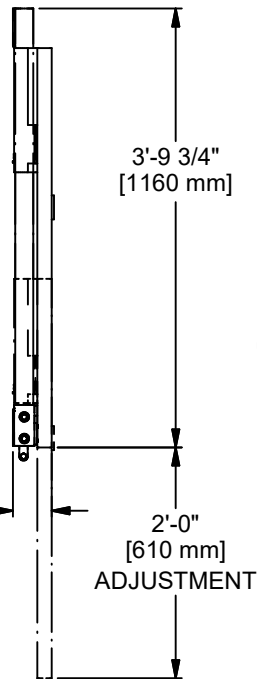


DETAIL A



STATIONARY MOUNTING SIDE



BOARD MOUNTING SIDE



Gared Performance Sports Systems
 9200 East 146th Street, Suite A
 Noblesville, IN 46060

THIS DOCUMENT CONTAINS TRADE SECRET AND OTHER MATERIALS WHICH ARE PROTECTED BY CONFIDENTIALITY NOTICE AND AGREEMENT AND BY COPYRIGHT. ANY USE OR COPYING OF THIS DOCUMENT EXCEPT AS AUTHORIZED BY GARED PERFORMANCE SPORTS SYSTEMS IS STRICTLY PROHIBITED.

MANUAL ADJUST-A-GOAL

DRAWN CONNERLEY	DATE 11/3/2017	DATE ISSUED
APPROVED	DATE	

SIZE A	SCALE	SHT. NO. 1 OF 2	PART NO. 1131	REV B
------------------	-------	--------------------	-------------------------	-----------------

B	ERD	08-01-23
A	WDC	04-09-20
REV	BY	DATE



**PERFORMANCE
SPORTS SYSTEMS**

MODEL 1131

**MANUAL HEIGHT ADJUSTER
ADJUST-A-GOAL SERIES**

APPLICATION

This unit is designed to adjust goal height from 8' to 10' and operate from floor level using a removable hand crank. This unit may be installed on any PSS and/or Gared Performance Sports Systems basketball units as well as many by other manufacturers.

SPECIFICATION

Vertical tubing shall allow the slide tubing to move freely without binding. Horizontal structure are two 2" x 4" x 3/16" thick steel L braces, one at each end. A 1 1/2" x 3" x 3/16" thick steel tube is used as a direct goal attachment to transfer loads from backboard to the surrounding framework. All components are welded to insure stability during normal play. Screw rod shall be hardened 5/8" diameter stub acme thread design. Height is adjusted with hand held removable crank. Crank purchased separately. Height adjustment label located outside the slide channel and viewable from the side of the unit shall be used to visually determine height settings from 8' to 10' in 3" increments.

Unit shall include a spring loaded lock located on the rod on the lower brace. This locks the rod in place when the unit is not being controlled by the crank handle. Units without a manual locking mechanism shall not be considered as equal.

Unit shall be furnished with standard flat black finish and should not be painted after shipment. Unit must be periodically lubricated to insure proper function and ease of height adjustment.

ACCESSORIES

9120-11-08	ADJ-A-GOAL CRANK & EXT ROD WHITE
155351211	AAG ELECTRIC KIT, 115V 1PH 60HZ
155351440	AAG ELECTRIC KIT, 220V 1PH 50/60HZ
1158	HARDWIRE KIT, AAG KEY SWITCH
1157	HARDWIRE KIT, FOR POWER WAND
1159	POWER WAND, FOR AAG
1125	PORTABLE CORDLESS ELEC AAG CRANK

Subject to design change and current manufacturing practices.