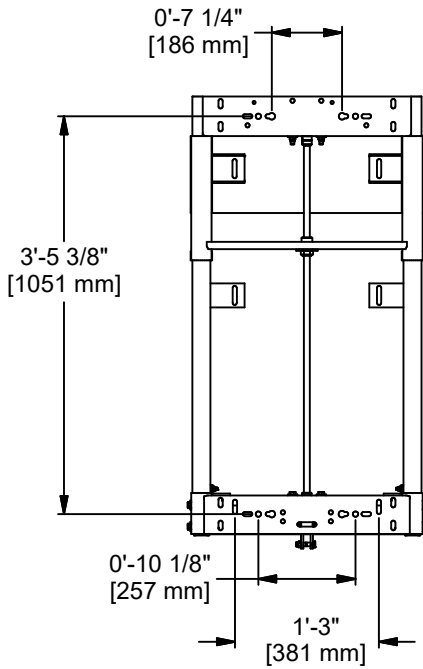
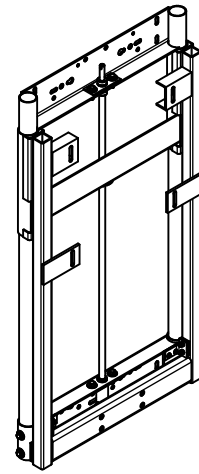
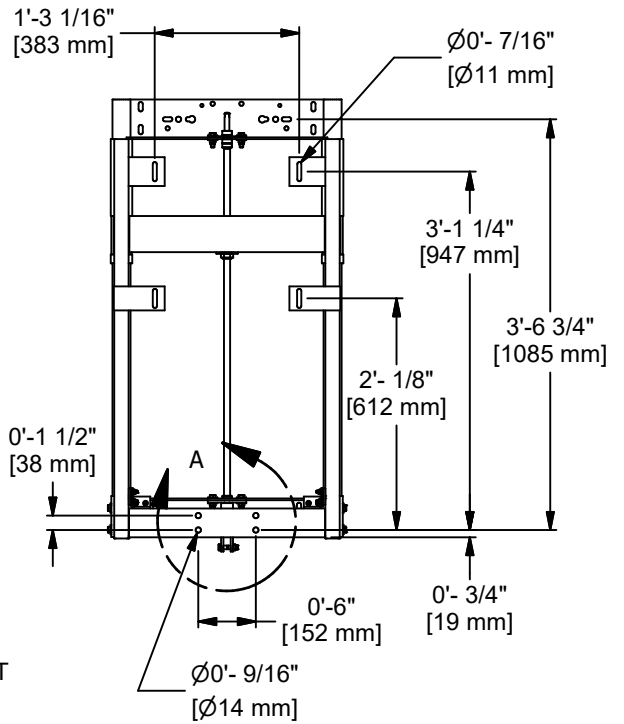
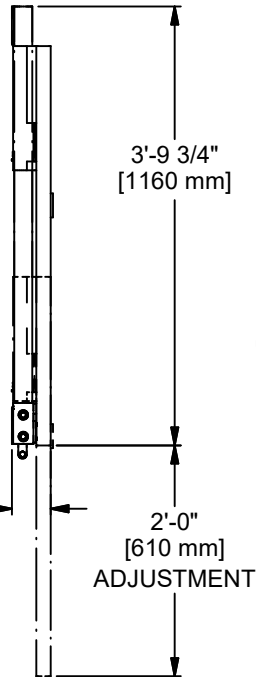


DETAIL A



STATIONARY MOUNTING SIDE



BOARD MOUNTING SIDE



Gared Performance Sports Systems
 9200 East 146th Street, Suite A
 Noblesville, IN 46060

THIS DOCUMENT CONTAINS TRADE SECRET AND OTHER MATERIALS WHICH ARE PROTECTED BY CONFIDENTIALITY NOTICE AND AGREEMENT AND BY COPYRIGHT. ANY USE OR COPYING OF THIS DOCUMENT EXCEPT AS AUTHORIZED BY GARED PERFORMANCE SPORTS SYSTEMS IS STRICTLY PROHIBITED.

MANUAL ADJUST-A-GOAL

DRAWN CONNERLEY	DATE 11/3/2017	DATE ISSUED
APPROVED	DATE	

SIZE A	SCALE	SHT. NO. 1 OF 2	PART NO. 1131	REV B
------------------	-------	--------------------	-------------------------	-----------------

B	ERD	08-01-23
A	WDC	04-09-20
REV	BY	DATE



**PERFORMANCE
SPORTS SYSTEMS**

MODEL 1131

**MANUAL HEIGHT ADJUSTER
ADJUST-A-GOAL SERIES**

APPLICATION

This unit is designed to adjust goal height from 8' to 10' and operate from floor level using a removable hand crank. This unit may be installed on any PSS and/or Gared Performance Sports Systems basketball units as well as many by other manufacturers.

SPECIFICATION

Vertical tubing shall allow the slide tubing to move freely without binding. Horizontal structure are two 2" x 4" x 3/16" thick steel L braces, one at each end. A 1 1/2" x 3" x 3/16" thick steel tube is used as a direct goal attachment to transfer loads from backboard to the surrounding framework. All components are welded to insure stability during normal play. Screw rod shall be hardened 5/8" diameter stub acme thread design. Height is adjusted with hand held removable crank. Crank purchased separately. Height adjustment label located outside the slide channel and viewable from the side of the unit shall be used to visually determine height settings from 8' to 10' in 3" increments.

Unit shall include a spring loaded lock located on the rod on the lower brace. This locks the rod in place when the unit is not being controlled by the crank handle. Units without a manual locking mechanism shall not be considered as equal.

Unit shall be furnished with standard flat black finish and should not be painted after shipment. Unit must be periodically lubricated to insure proper function and ease of height adjustment.

ACCESSORIES

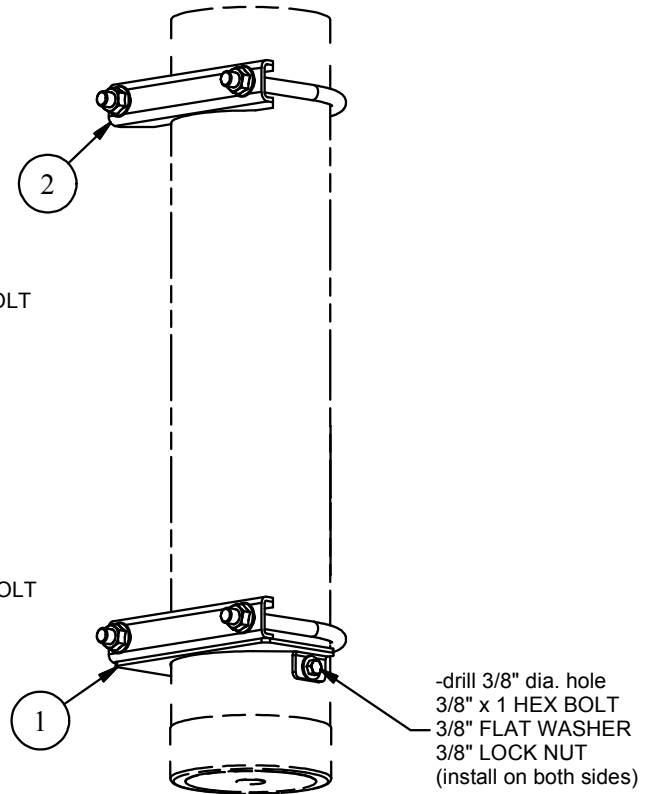
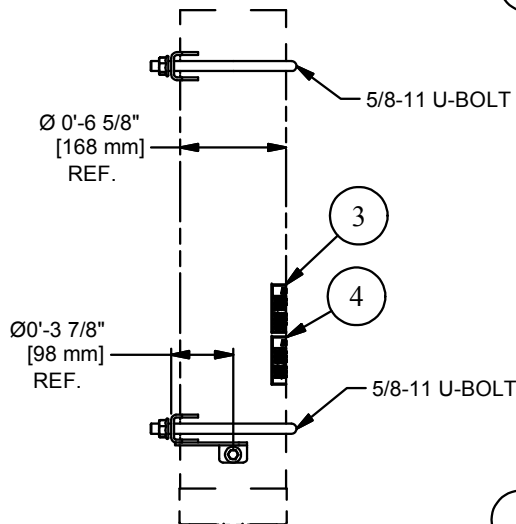
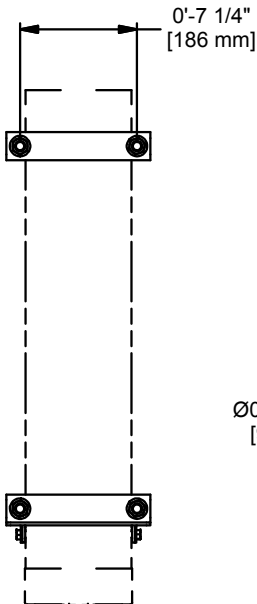
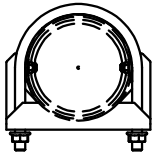
9120-11-08	ADJ-A-GOAL CRANK & EXT ROD WHITE
155351211	AAG ELECTRIC KIT, 115V 1PH 60HZ
155351440	AAG ELECTRIC KIT, 220V 1PH 50/60HZ
1158	HARDWIRE KIT, AAG KEY SWITCH
1157	HARDWIRE KIT, FOR POWER WAND
1159	POWER WAND, FOR AAG
1125	PORTABLE CORDLESS ELEC AAG CRANK

Subject to design change and current manufacturing practices.

ITEM	QTY	PART NUMBER	DESCRIPTION
1	1	503951385	CLAMP ASSY, AAG MOUNT, 6 5/8" ANTI-ROTA
2	1	503854344	BANK MOUNTING CLAMP, 6 5/8" ASSY
3	1	123951581	WARNING LABEL - MAST U-BOLT TORQUE
4	1	123951584	WARNING LABEL - STOP BOLT AR

INSTALLATION INSTRUCTIONS

1. After board and goal have been adjusted for plumb, level, and the proper height A.F.F., make sure all 5/8" clamp U-bolts have been torqued to 94 to 130 ft-lbs.
2. Using a 3/8" dia. bit, drill through the mast tube at the 3/8" hole on each side of the lower mast clamp.
3. Install a 3/8" x 1 hex bolt on each side of mast clamp using a 3/8" flat washer under bolt head and lock nut.
4. Apply warning labels to back side of post as shown.



FINISHED WEIGHT N/A

⚠ WARNING

The 5/8" mast clamp U-bolt nuts **MUST** be torqued to a value of 94 to 130 Ft-Lbs. [128 to 176 Nm].

Failure to torque the U-bolt nuts to the specified value could allow the backboard to slip off the mast resulting in serious injury or death.

123951581

⚠ WARNING

Stop Bolts **MUST** be installed on each side of the mast clamp after final adjustment. See installation instructions.

Failure to install these bolts could allow the backboard to slip off the mast resulting in serious injury or death.

123951584

BASKETBALL GOALS.US

B	WDC	01-30-20
A	WDC	03-17-17
REV	BY	DATE

PSS PERFORMANCE SPORTS SYSTEMS

GARED

Gared Holdings, LLC
9200 E. 146th St. Noblesville, IN 46060

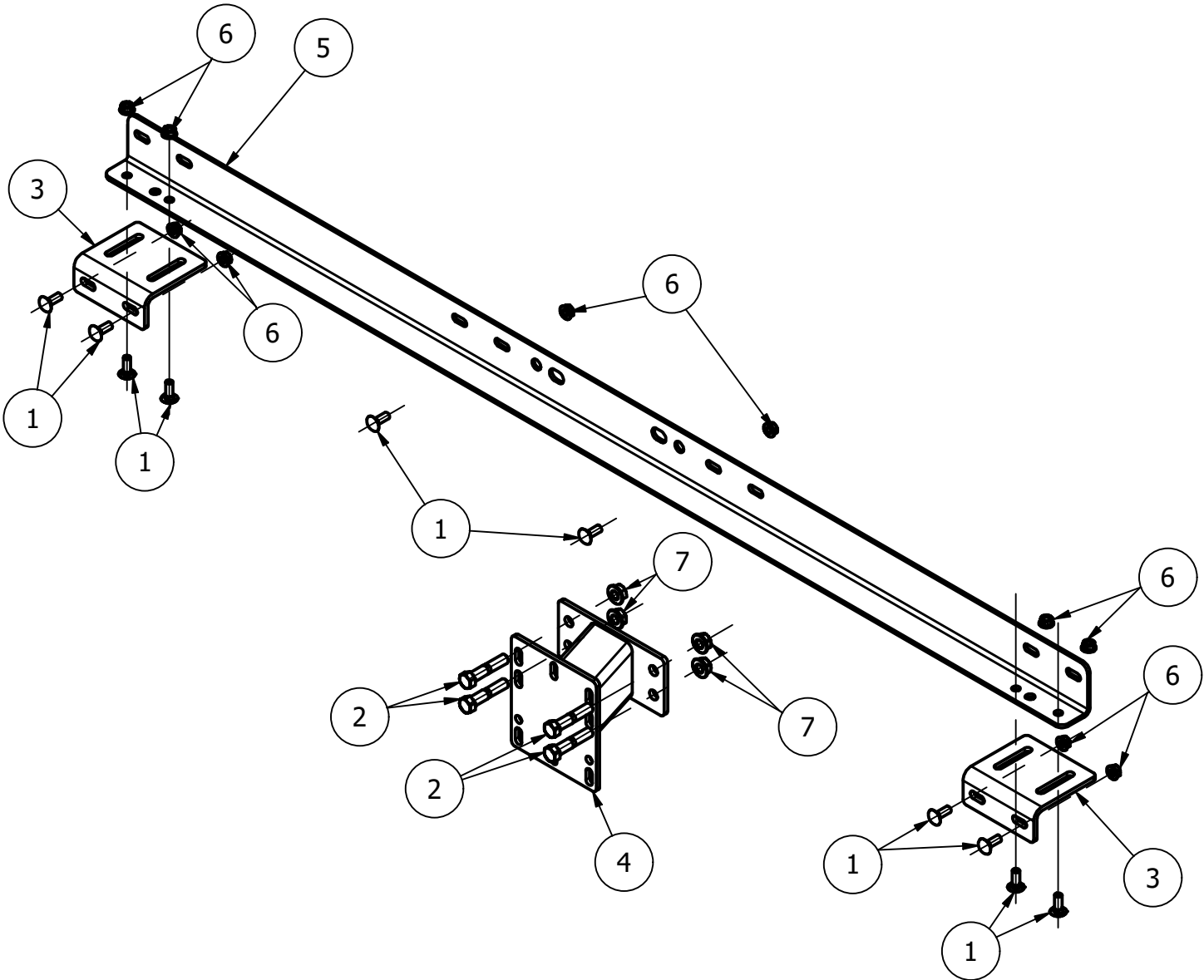
THIS DOCUMENT CONTAINS TRADE SECRET AND OTHER MATERIALS WHICH ARE PROTECTED BY CONFIDENTIALITY NOTICE AND AGREEMENT AND BY COPYRIGHT. ANY USE OR COPYING OF THIS DOCUMENT EXCEPT AS AUTHORIZED BY GARED HOLDINGS, LLC IS STRICTLY PROHIBITED.

MTG. KIT, AAG TO 6-5/8" DIA. MAST

DRAWN	CONNERLEY	DATE	3/10/2010	DATE ISSUED
APPROVED	CONNERLEY	DATE	3/10/2010	
FILE LOC. Q:\Inventor Files\0000-9999				
SIZE	SCALE	SHT. NO.	PART NO.	REV
A	NONE	1 OF 1	1408	B

PARTS LIST

ITEM	QTY	PART NUMBER	DESCRIPTION
1	10	501-6-16-16	BOLT, CARRIAGE 3/8-16 UNC X 1
2	4	502-8-13-40	HEX BOLT, 1/2-13 UNC X 2.5
3	2	503852349	BRACKET, ADJUSTABLE BOARD MOUNT
4	1	503853946	WELDMENT, DIRECT MOUNT EXTENSION
5	1	504151666	SUPPORT ANGLE, WM 63" CENTER
6	10	548-6-16	HEX NUT, SERRATED FLANGE 3/8-16
7	4	548-8-13	HEX NUT, SERRATED FLANGE 1/2-13



Gared Performance Sports Systems
9200 East 146th Street, Suite A
Noblesville, IN 46060

THIS DOCUMENT CONTAINS TRADE SECRET AND OTHER MATERIALS WHICH ARE PROTECTED BY CONFIDENTIALITY NOTICE AND AGREEMENT AND BY COPYRIGHT. ANY USE OR COPYING OF THIS DOCUMENT EXCEPT AS AUTHORIZED BY GARED PERFORMANCE SPORTS SYSTEMS IS STRICTLY PROHIBITED.

MTG. KIT, 63" X 36" REC BOARD TO AAG

DRAWN CONNERLEY		DATE 3/10/2010	DATE ISSUED	
APPROVED CONNERLEY		DATE 3/10/2010		
SIZE A	SCALE	SHT. NO. 1 OF 1	PART NO. 4404	REV C

C	SCW	04/18/24
B	ENGEL	08/18/14
A	WDC	11/08/12
REV	BY	DATE